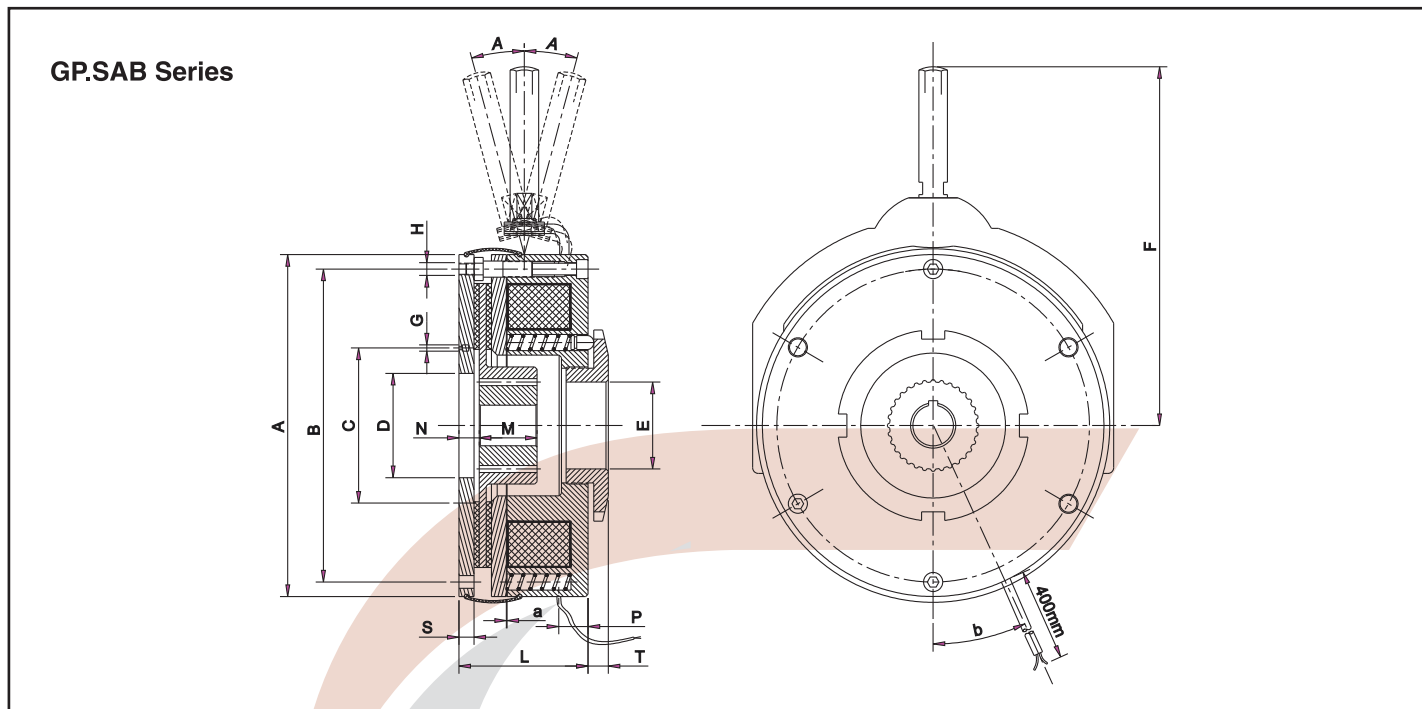


# Dimension Data

## Spring Applied Brakes GP.SAB Series



Size	06	08	10	12	14	16	18	20	25	
<b>Torque in NM</b>	<b>4</b>	<b>8</b>	<b>16</b>	<b>32</b>	<b>60</b>	<b>80</b>	<b>150</b>	<b>240</b>	<b>360</b>	
Exciting Voltage	24/90	24/90	24/90	24/90	24/90	24/90	24/90	24/90	24/90	
Power (at 20°C) W	20	25	30	40	50	55	65	75	100	
Max. RPM	3000	3000	3,000	3,000	3,000	3,000	2,000	2,000	2,000	
<b>D I M E N S I O N S</b>	<b>A</b>	84	102	127	147	162	188	215	252	295
	<b>B</b>	72	90	112	132	145	170	196	230	270
	<b>C</b>	30	45	56	62	74	84	100	120	150
	<b>E</b>	18	22	33	40	48	56	64	73	95
	<b>F</b>	95	110	140	165	185	220	260	300	320
	<b>G</b>	3 X 4.5	3 X 5.5	3 X 6.5	3 X 6.5	3 X 9	3 X 9	6 X 9	6 X 9	6 X 11
	<b>H</b>	3 X 4.5	3 X 5.5	3 X 6.5	3 X 6.5	3 X 9	3 X 9	6 X 9	6 X 9	6 X 11
	<b>L</b>	44	48	59	66	76	84	96	108	111.5
	<b>M</b>	18	20	20	25	30	30	35	40	50
	<b>N</b>	7.8	9.5	12.5	12	14	14	15	17.5	17.5
	<b>P</b>	17	18	25	31	36	40	33	47	47
	<b>S</b>	6	7	9	9	11	11	11	11	12.5
	<b>T</b>	3.5	4	4	5	5	6	6	8	17.5
	<b>AIR GAP a</b>	0.2	0.2	0.2	0.3	0.3	0.3	0.4	0.4	0.5
<b>WEIGHT kg</b>	1.2	1.8	3.0	4.8	7.3	12	18	27	38	
<b>b</b>	25°	25°	25°	25°	25°	25°	25°	25°	25°	